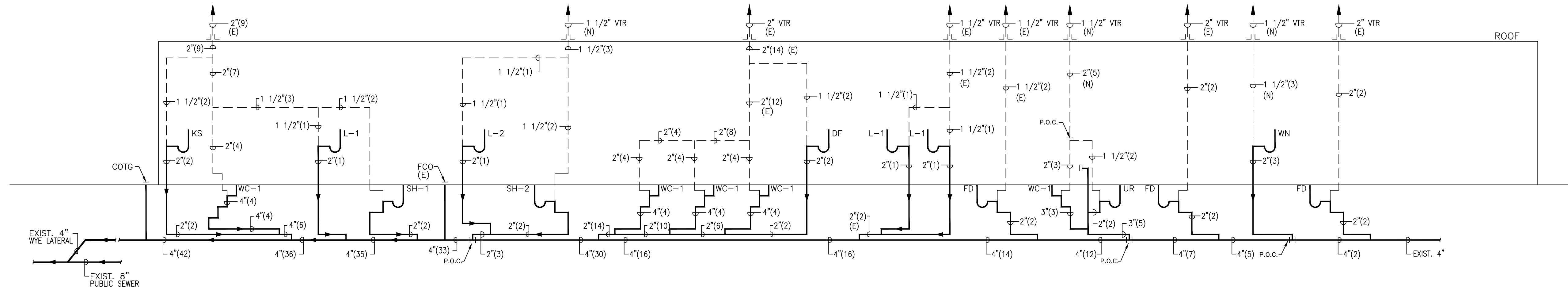


- REFERENCE NOTES:
- EXIST. WATER METER IN CONC. VAULT
 - 3" GATE VALVE IN CONC. VAULT
 - 2 1/2" STUB-OUT MIN. 30" ABOVE GRADE (EXIST.)

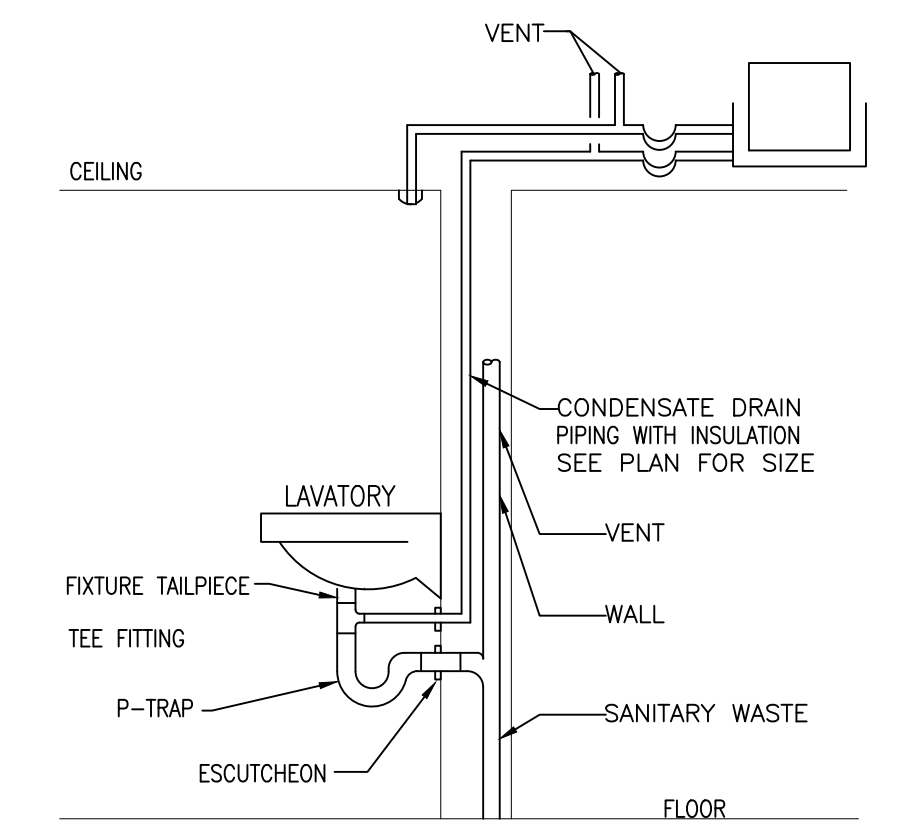
C/HW & HWR RISER

N.T.S. (A)

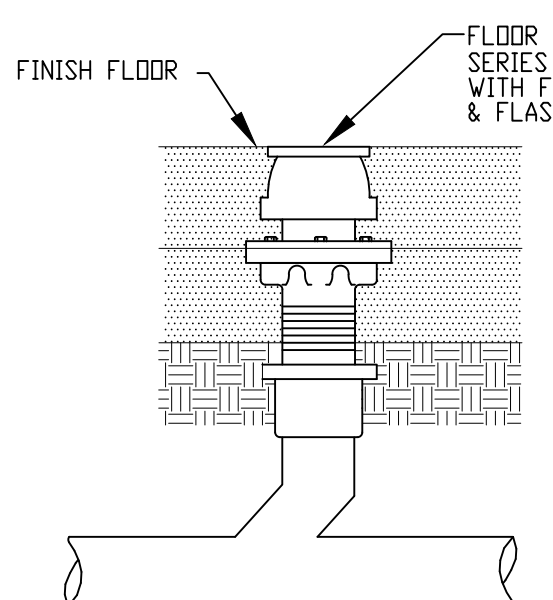


WASTE/VENT RISER

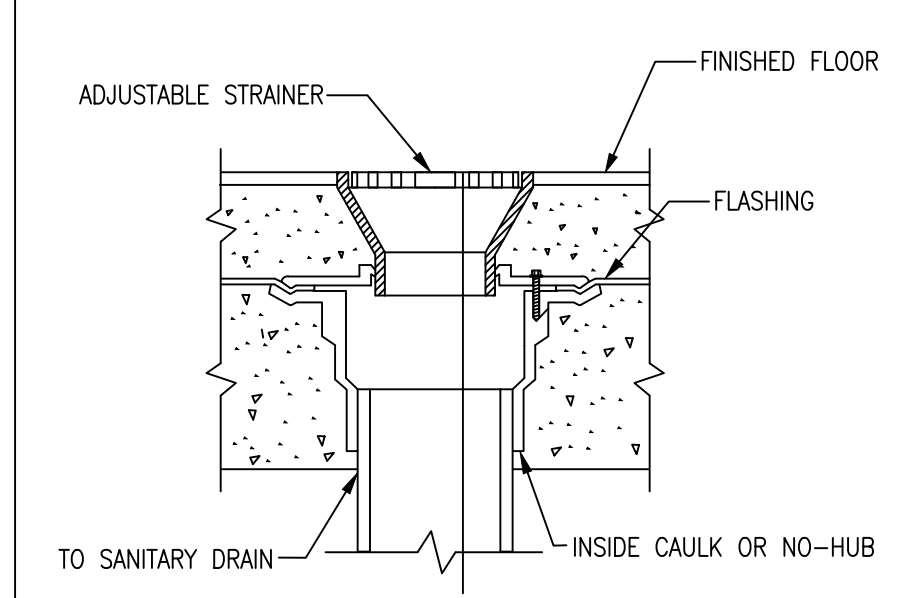
N.T.S. (B)



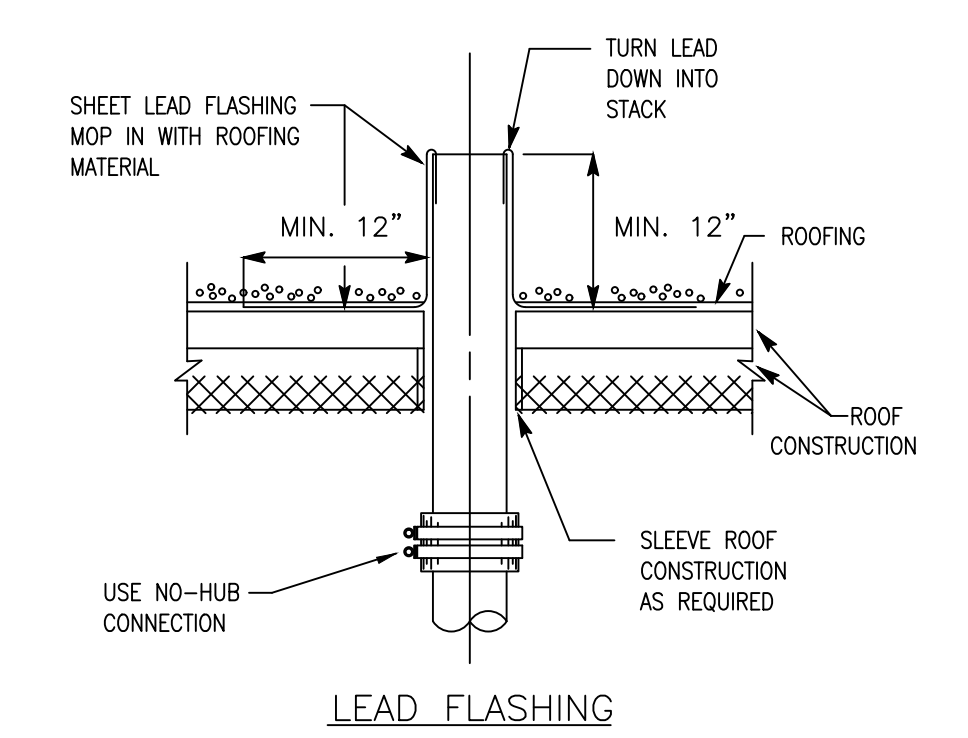
CEILING MOUNTED AH TO TAILPIECE OF LAVATORY



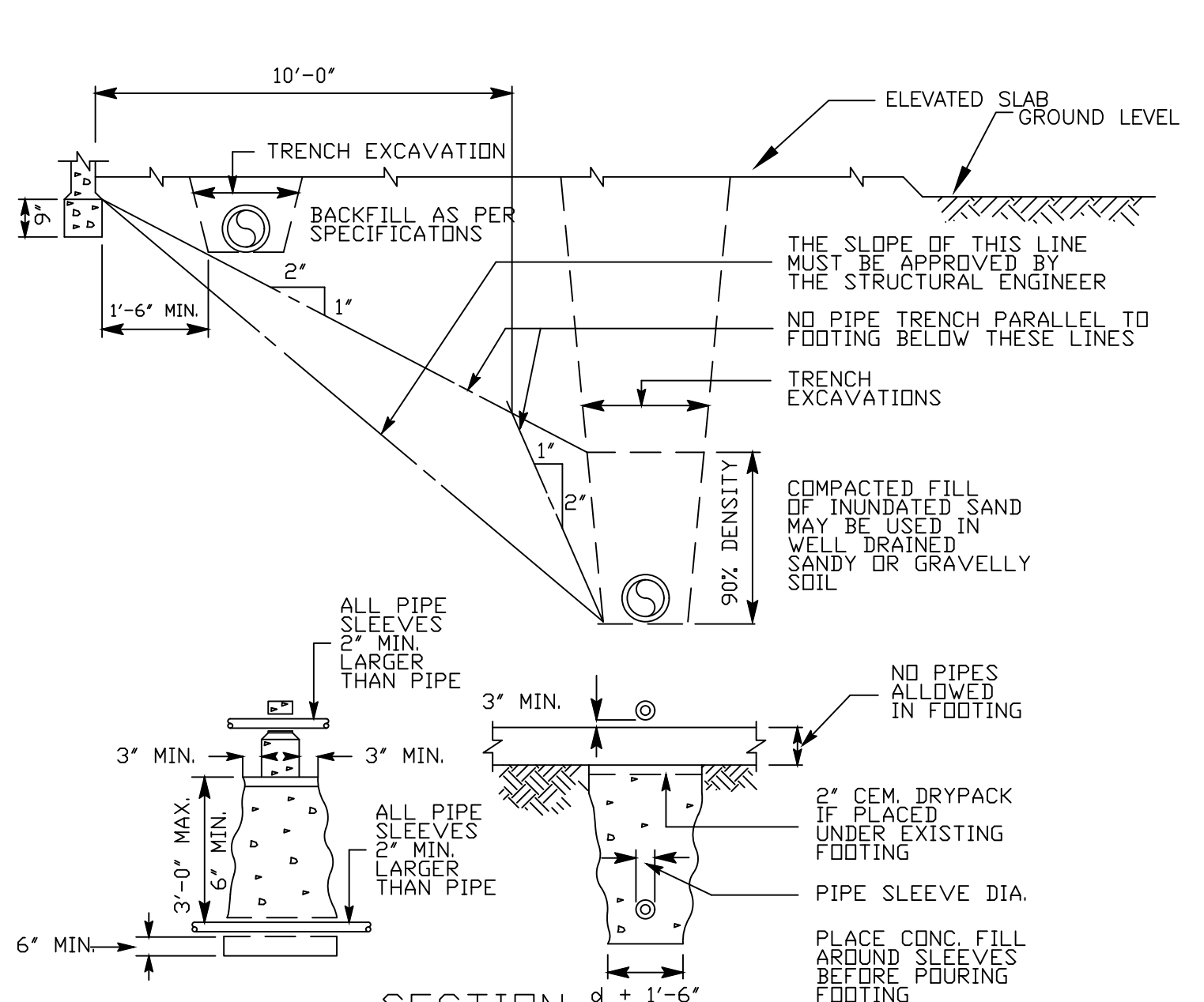
FLOOR CLEANOUT



FLOOR DRAIN DETAIL

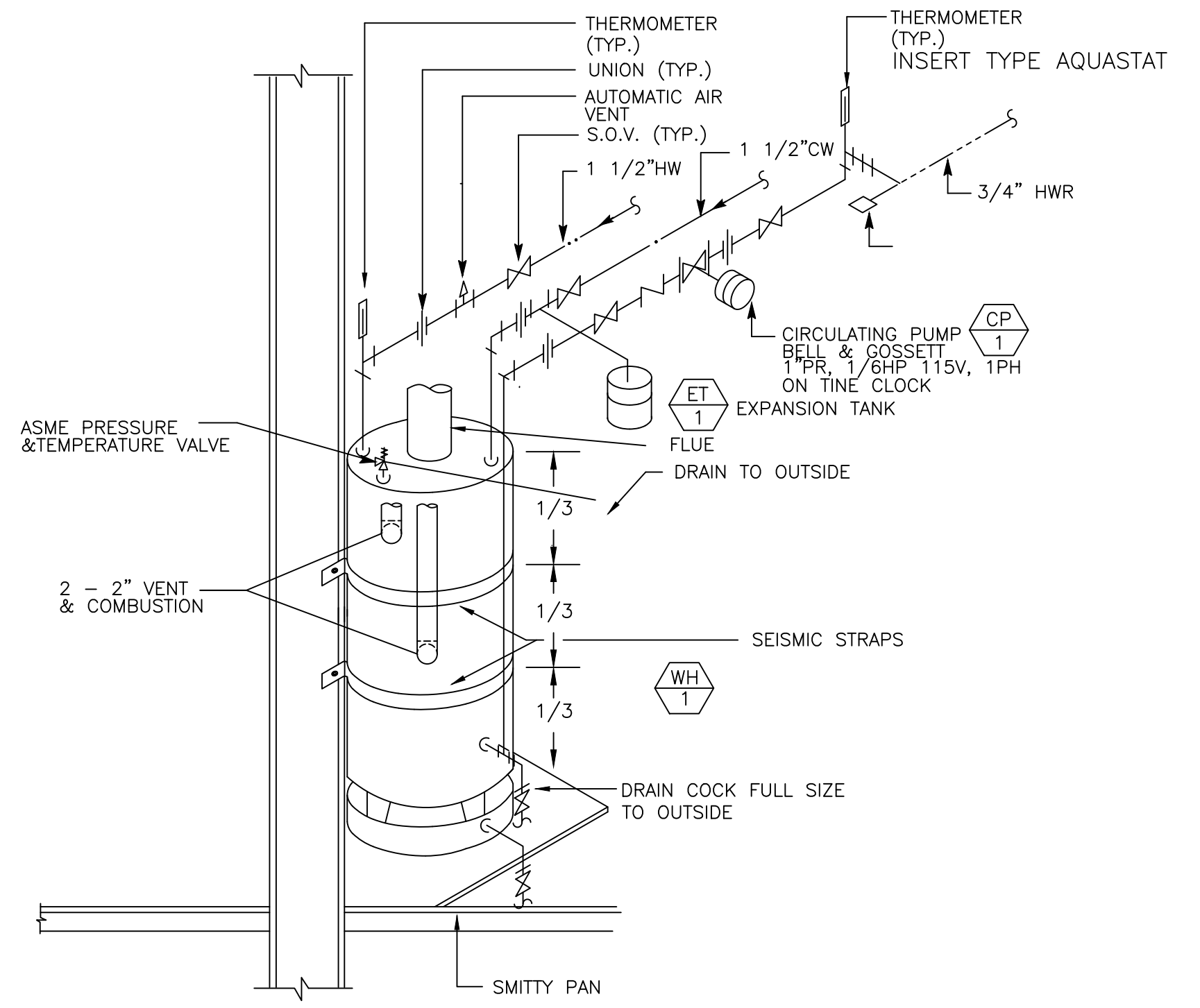


VENT THRU ROOF



PIPE THRU FOOTING DETAIL

N.T.S. (G)



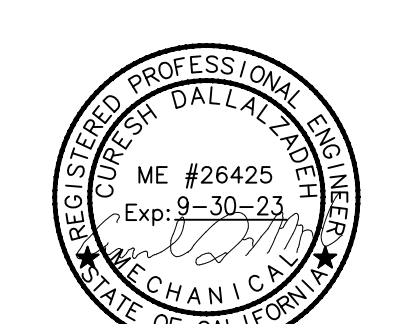
STORAGE GAS WATER HEATER (EXISTING)

N.T.S. (H)

WILLIAM LOYD JONES ARCHITECT
 9415 uliver boulevard
 los angeles, california
 90023-2902
 TEL 910 392 3995

RISERS & DETAILS
 CITY OF TORRANCE
 FIRE DEPARTMENT
 FIRE STATION 4 RENOVATION
 5205 CALLE MAYOR
 TORRANCE, CA 90505

Issue	
Date	01.SEP.21
Drawn	FG
Checked	CD
Scale	1/4"=1'-0"
Job. No.	--



CURESH ENGINEERING
 Mechanical Consultant
 1659 Wellesley Avenue TEL: (310) 775-7662
 Los Angeles, CA 90025
 E-mail: curesh-engineering@sbglobal.net

P-3.0