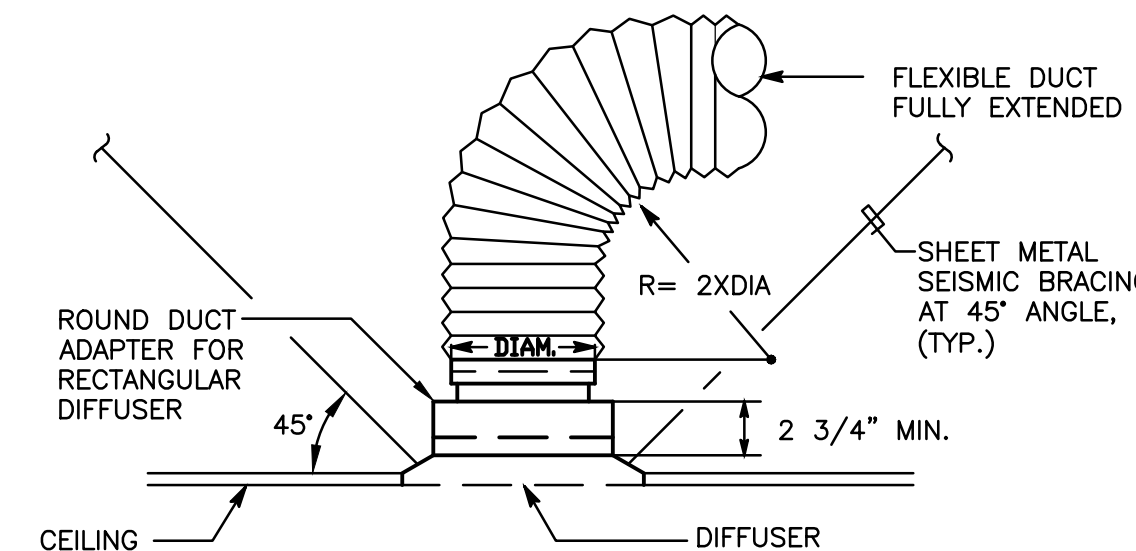


SIDE CONNECTION



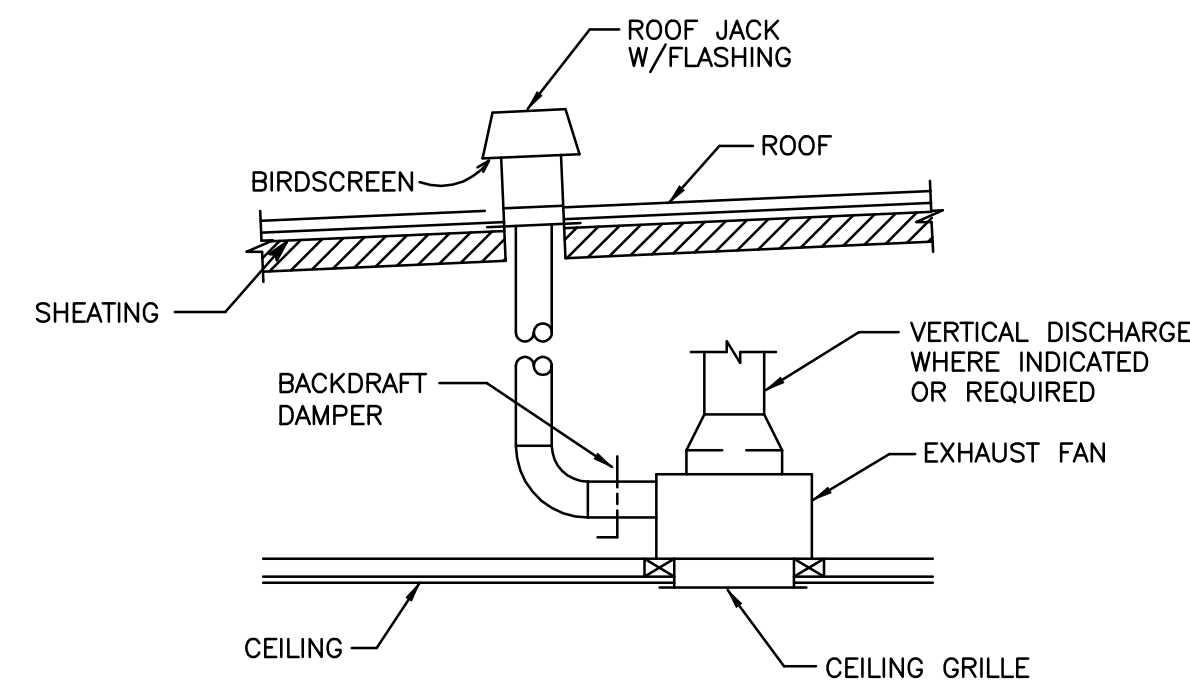
TOP CONNECTION

CEILING DIFFUSER DETAIL

SCALE: NONE 1

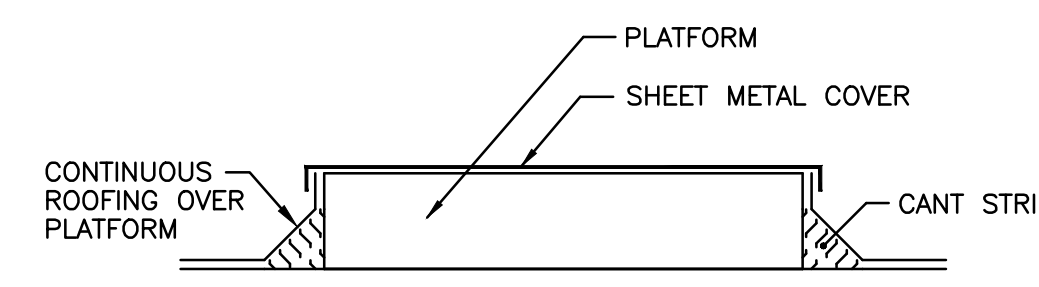
CLG. MTD. EXHAUST FAN DETAIL

SCALE: NONE 2

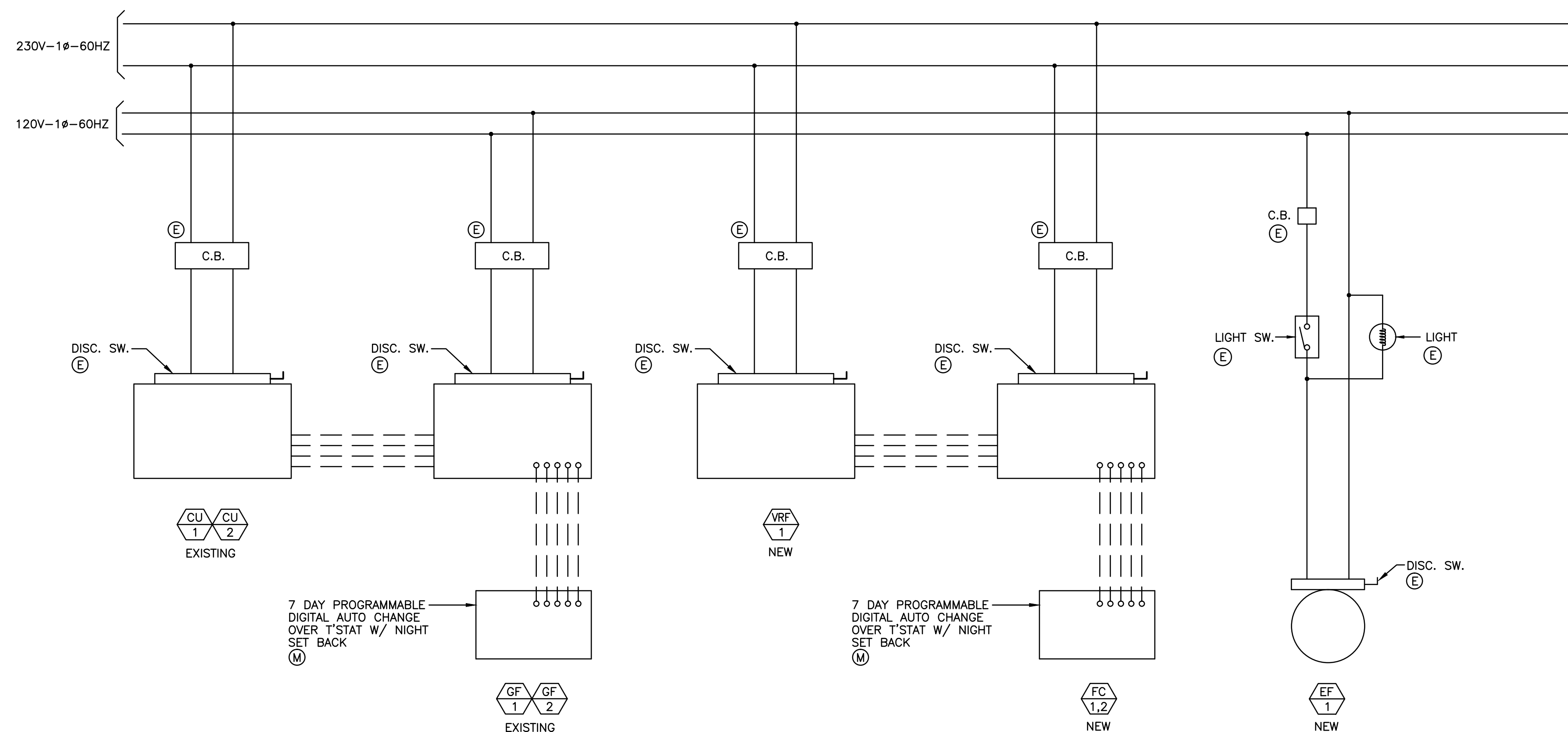


EQUIPMENT PLATFORM DETAIL

SCALE: NONE 3



SCALE: NONE 4



CONTROL WIRING DIAGRAMS

N.T.S.

CONTROL LEGEND	
SYMBOL	DESCRIPTION
—	LINE VOLTAGE WIRING UNDER ELECTRICAL SECTION
- - -	LOW VOLTAGE WIRING BY MECHANICAL SECTION, CONDUIT BY ELECTRICAL SECTION
(E)	ITEMS FURNISHED & INSTALLED UNDER ELECTRICAL SECTION
(M)	ITEMS FURNISHED BY MECHANICAL.

NOTE: ALL CONDUIT UNDER ELECTRICAL SECTION

DIAGRAM SHOWN IS SCHEMATIC AND INTENDED TO SHOW SEQUENCE OF OPERATION ONLY. CONTRACTOR TO PROVIDE ALL ITEMS AND WIRING REQUIRED FOR PROPER OPERATION AND COMPLIANCE WITH CODE. VERIFY EXACT REQUIREMENTS WITH EQUIPMENT MANUFACTURER.

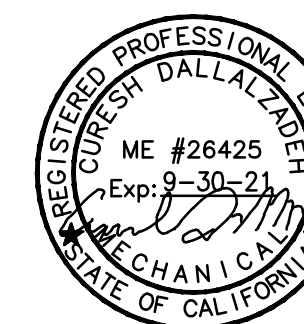
DETAILS & CONTROLS

CITY OF TORRANCE
FIRE DEPARTMENT
FIRE STATION 4 RENOVATION
 5205 CALLE MAYOR
 TORRANCE, CA 90505

Issue
 XXX XX-XX-XX

THE ABOVE DRAWINGS AND SPECIFICATIONS AND IDEAS, DESIGNS AND ARRANGEMENTS REPRESENTED THEREIN ARE AND SHALL REMAIN THE PROPERTY OF THE ARCHITECT. NO PART THEREOF SHALL BE COPIED, REPRODUCED OR USED IN CONNECTION WITH ANY WORK OR PROJECT OTHER THAN THE SPECIFIC PROJECT FOR WHICH THEY HAVE BEEN PREPARED AND DEVELOPED WITHOUT THE WRITTEN CONSENT OF THE ARCHITECT. SOCIAL CONTACT WITH THESE DRAWINGS OR SPECIFICATIONS SHALL CONSTITUTE CONCLUSIVE EVIDENCE OF ACCEPTANCE OF THESE INSTRUMENTS. WRITTEN DIMENSIONS ON THESE DRAWINGS SHALL HAVE PRECEDENCE OVER SPOKE DIMENSIONS. CONTRACTORS SHALL VERIFY AND BE RESPONSIBLE FOR ALL DIMENSIONS AND CONDITIONS ON THE JOB AND THIS OFFICE MUST BE NOTIFIED OF ANY VARIATIONS FROM THE DIMENSIONS AND CONDITIONS SHOWN BY THESE DRAWINGS. SHOP DETAILS MUST BE SUBMITTED TO THIS OFFICE FOR APPROVAL. BEFORE PROCEEDING WITH FABRICATION.

DATE: 09/01/2021
 DRAWN: K.P.
 CHECKED: J.D.
 SCALE: AS SHOWN
 JOB. NO.:



CURESH ENGINEERING
 Mechanical Consultant
 1659 Wellesley Avenue TEL: (310) 775-7662
 Los Angeles, CA 90025
 E-mail: curesh-engineering@sbcglobal.net

M-3.1

X OF X SHEETS

WILLIAM LOYD JONES
 ARCHITECT
 9415 CULVER BOULEVARD
 LOS ANGELES, CALIFORNIA
 9 0 2 3 2
 TEL: 910-392-3995