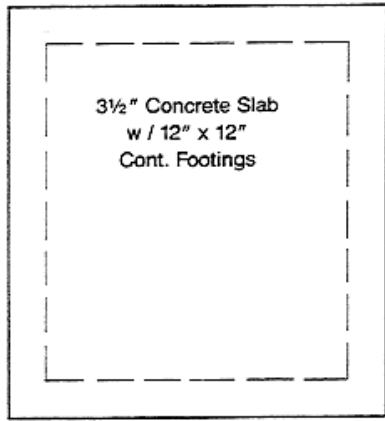
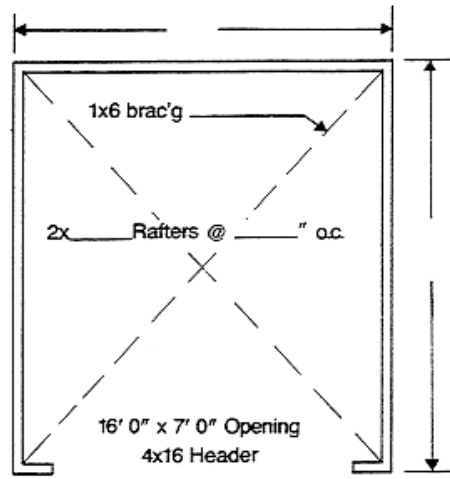


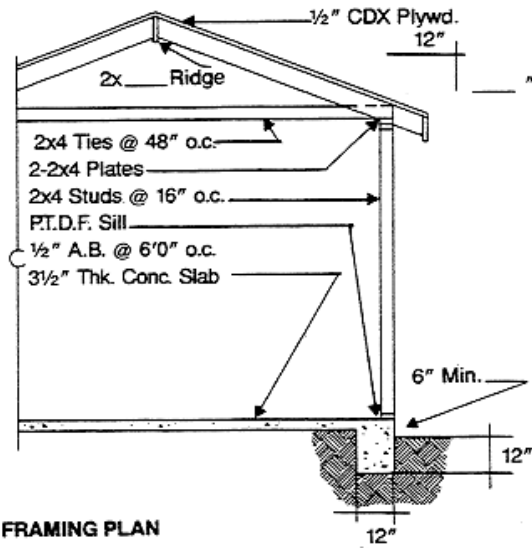
TWO CAR DETACHED GARAGE



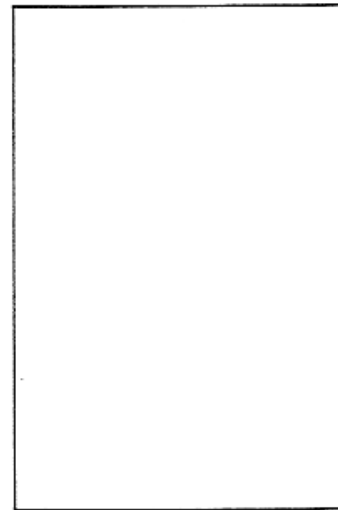
FOUNDATION PLAN



FLOOR PLAN



FRAMING PLAN



PLOT PLAN

SEE STD B-1
FOR MATERIAL
SPECIFICATIONS

NAME _____
ADDRESS _____
LOT _____ BLOCK _____ TRACT _____

**CITY OF TORRANCE
BUILDING AND SAFETY DEPARTMENT**

B-2