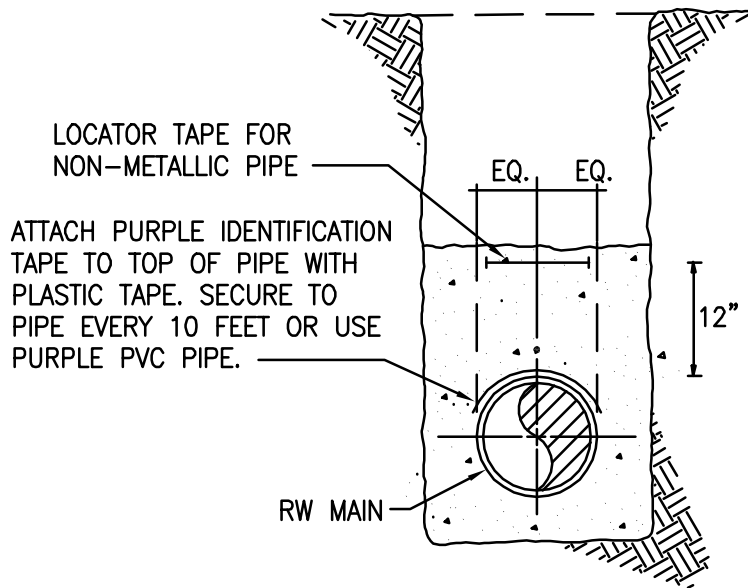



**METALLIC RECLAIMED WATER PIPE**



**NON-METALLIC RECLAIMED WATER PIPE**

**CITY OF TORRANCE - ENGINEERING DEPARTMENT**

DATE ISSUED 28 FEB 1997	<b>RECLAIMED WATER PIPE IDENTIFICATION</b>	STANDARD NO. <b>T801-0</b>
	RICHARD W. BURTT ENGINEERING DIRECTOR R.C.E. NO. 32862 	SHEET 1 OF 1