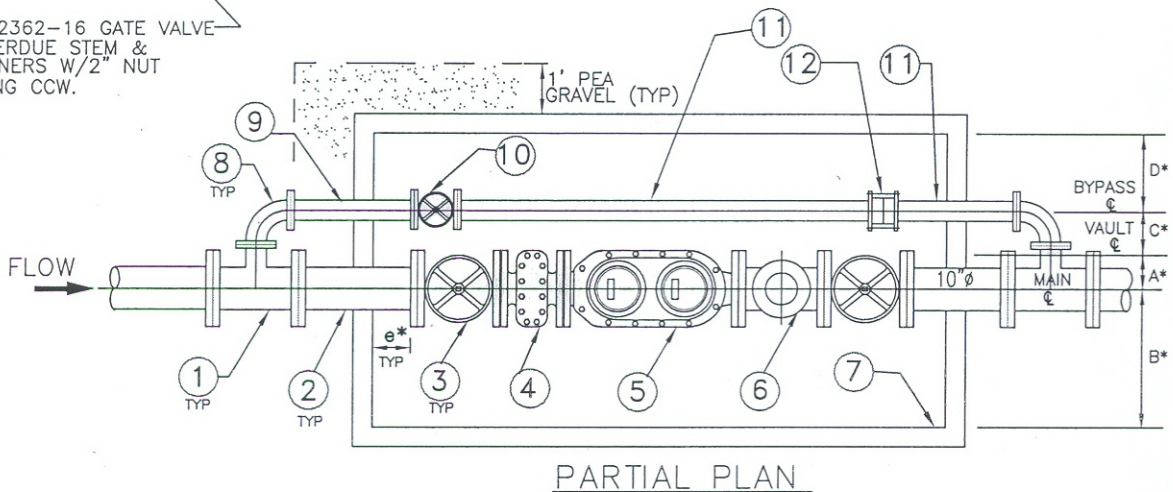


MUELLER NO.A2362-16 GATE VALVE MJxFLG, W/EVERDUE STEM & SS 316 FASTENERS W/2" NUT & NRS OPENING CCW.



*SEE T722 FOR DIMENSIONS

ITEM	DESCRIPTION
①	10" x 4" D.I. FLG. TEE
②	10" x 24" D.I. FLG. SPOOL
③	10" MUELLER A2362-6 GV W/EVERDUR STEMS, HANDWHEEL & NRS OPENING CCW, W/LOCK & CHAIN
④	10" SCHLUMBERGER NEPTUNE STRAINER
⑤	10" SCHLUMBERGER HP TURBINE METER W/AUTOMATIC BILLING & READING MINI PIT RECEPTACLE W/25' WIRE, INSTALLED IN VAULT COVER NEAR CORNER & HINGE, CLEAR OF OBSTRUCTIONS.
⑥	TEST PORT 10" x 4" D.I. TEE W/BLIND FLG x 2" BRASS NIPPLE, 2" FIP LOCKWING BALL VALVE W/2" MIP PLUG (BALL VALVE FORD B11-777W OR JONES J-1900W)
⑦	BROOKS PRODUCTS BOX # 859 (105.5" x 57.5")
⑧	4" D.I. 90° FLG. ELBOW
⑨	4" D.I. FLG. SPOOL
⑩	4" MUELLER A2362-6 GV W/EVERDUR STEMS, HANDWHEEL & NRS OPENING CCW, W/LOCK & CHAIN
⑪	4" D.I.P., FLG x PE
⑫	4" SOLID SLEEVE TYPE COUPLER, RJ x RJ

ACCOMPANYING STD T700, T712, T713, T722 AND T723.

CITY OF TORRANCE - ENGINEERING DEPARTMENT

TYPICAL UNDERGROUND ASSEMBLY FOR 10" "NEPTUNE" HP TURBINE METER W/BYPASS

STANDARD NO.

T721-2

SHEET 1 OF 1

DATE ISSUED

NOV 2015

ROBERT J. BESTE
PUBLIC WORKS DIRECTOR
R.C.E. NO. 50737