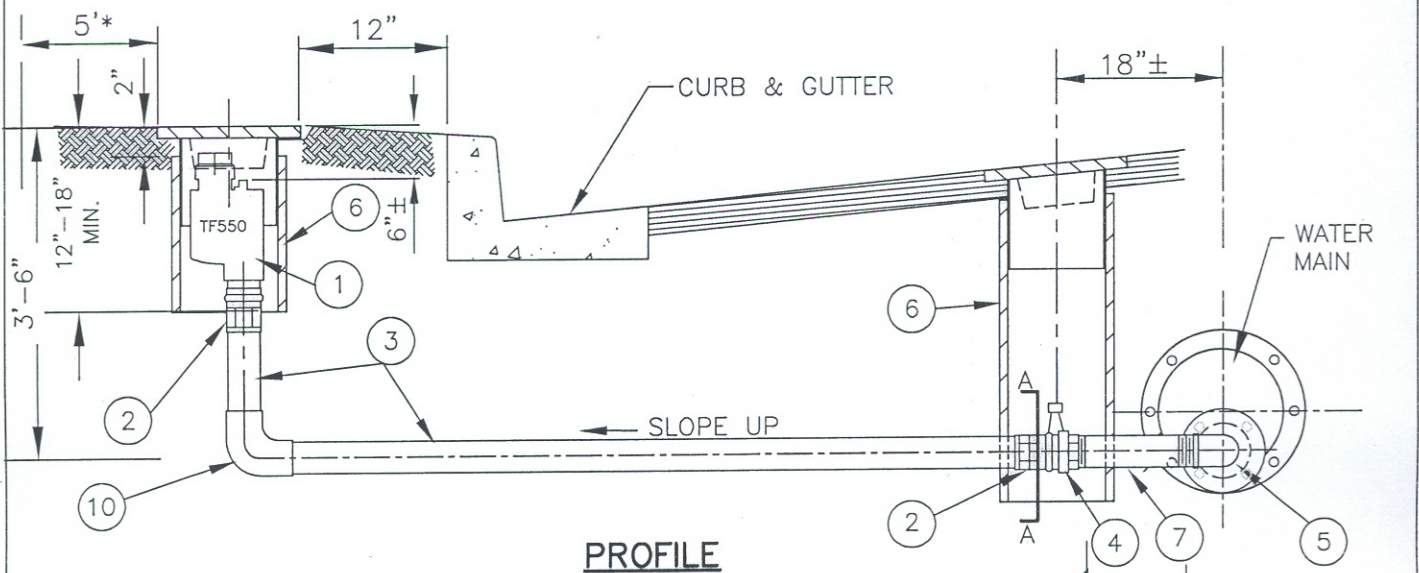
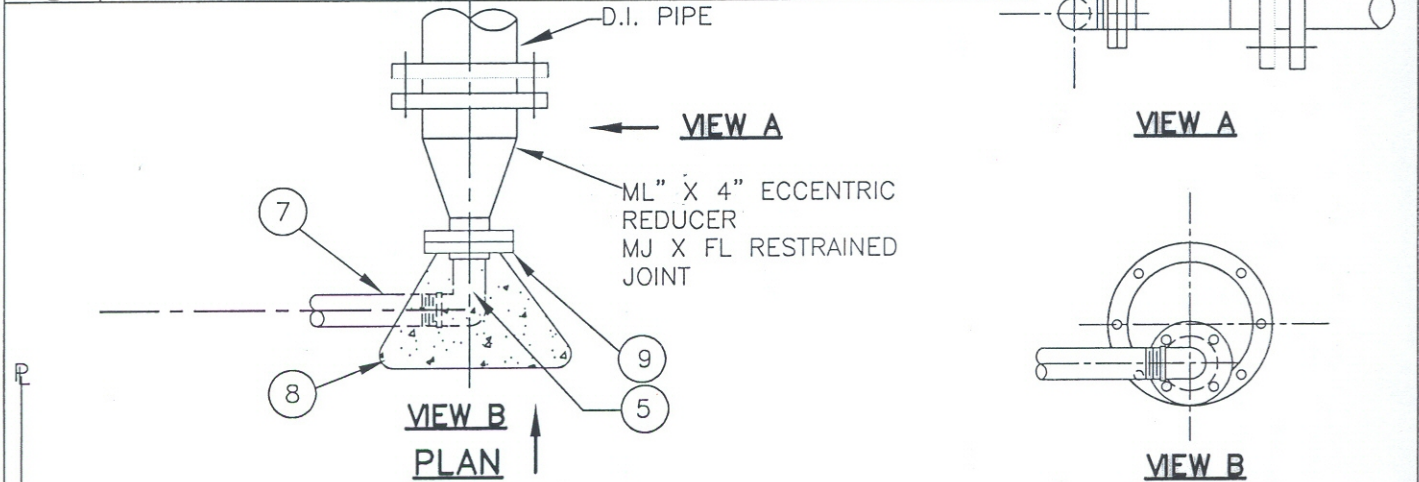


ITEM	DESCRIPTION
①	KUPFERLE TRUFLO MODEL TF550 BLOW-OFF HYDRANT W/2" FIP INLET
②	2" ADAPTOR - 2" MIP x SJ
③	2" COPPER TYPE K-SOFT TUBING
④	2" FIP BALL VALVE-FORD B11-777NL, JONES E1900
⑤	2" BRASS STREET ELBOW
⑥	VALVE BOX ASSEMBLY (SEE T712) MOD.
⑦	2" BRASS NIPPLE AS REQUIRED
⑧	CONC. THRUST BLOCK PER T713
⑨	4" BLIND FLANGE W/FULL FACE GASKET W/2" IP DRILLED & TAPPED HOLE
⑩	2" 90° ELBOW - COPPER TO COPPER SJxSJ



\* WHERE THERE IS NO CURB, THE VALVE BOX ASSEMBLY SHALL BE SET 5' CLEAR OF PROPERTY LINE.

ACCOMPANYING STD'S T700, T701, T712, T713 AND T116

CITY OF TORRANCE

2" BLOW-OFF ASSEMBLY

STANDARD NO.

T 707

SHEET 1 OF 1

DATE ISSUED

NOV 2015

ROBERT J. BESTE  
PUBLIC WORKS DIRECTOR  
R.C.E. NO. 50737

*RA/BA*

X:\ENG\VP\Prasad\Water Standards\T707.dwg 11/19/15 07:53 vprasad