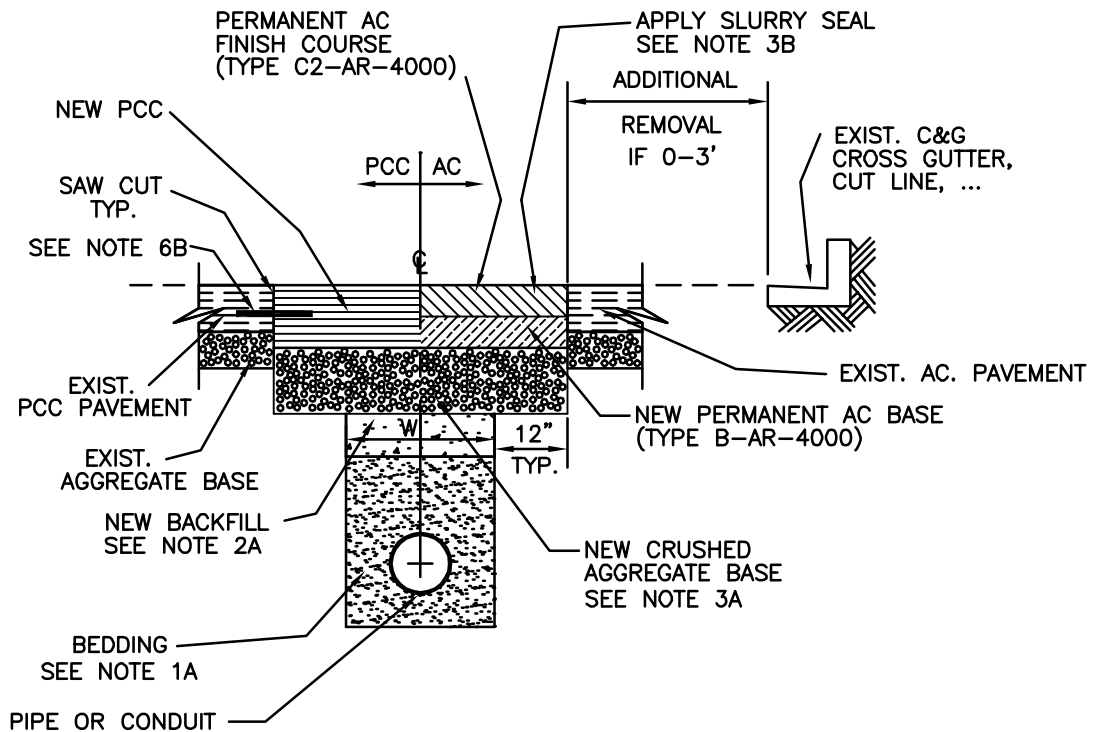


TEMPORARY ASPHALT REPAIR



PERMANENT TRENCH REPAIR

**TYPICAL TRENCH SECTION WITHIN ROADWAY
(SEE NOTE 8C FOR EXCEPTION)**

CITY OF TORRANCE - ENGINEERING DEPARTMENT

TT\T116-2

DATE ISSUED
10 SEP 2002

TRENCH BACKFILL & PAVEMENT REPAIRS

RICHARD W. BURTT
ENGINEERING DIRECTOR
R.C.E. NO. 32862
R.T.E. NO. 1538

STANDARD NO.
T116-2
SHEET 1 OF 4